

# Miniature One-Way Clutch Bearing

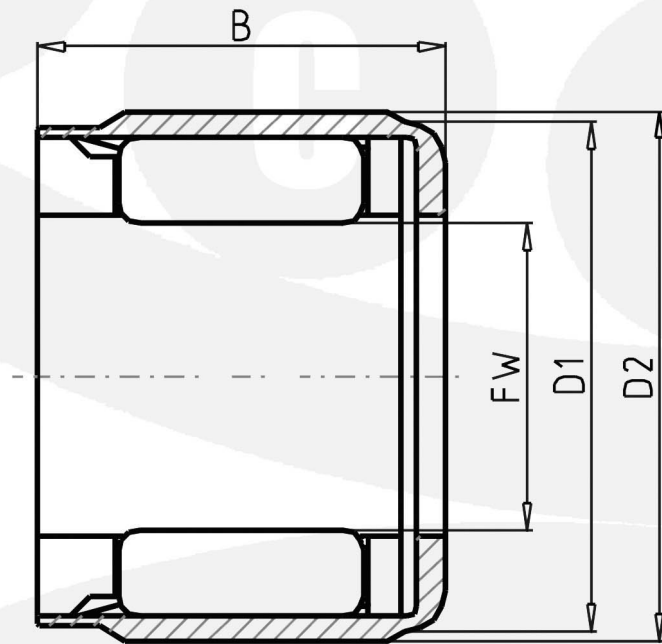
Part Number: **EWC0812A** with synthetic resin springs, light load type

Dimension: 8 x 14.2 x 15 x 12 mm

Outer Ring: ST14 with nickel plating

Cage: synthetic resin – POM/PA66

Roller: 4Cr13 / SUS304



FW Inside Diameter	8	mm
D1 Diameter	14.2	mm
D2 Diameter	15.0	mm
B Bearing Width	12	mm
ORDER Bearing No.	EWC0812A	
TC Torque Capacity	1.18	Nm