

# Miniature One-Way Clutch Bearing

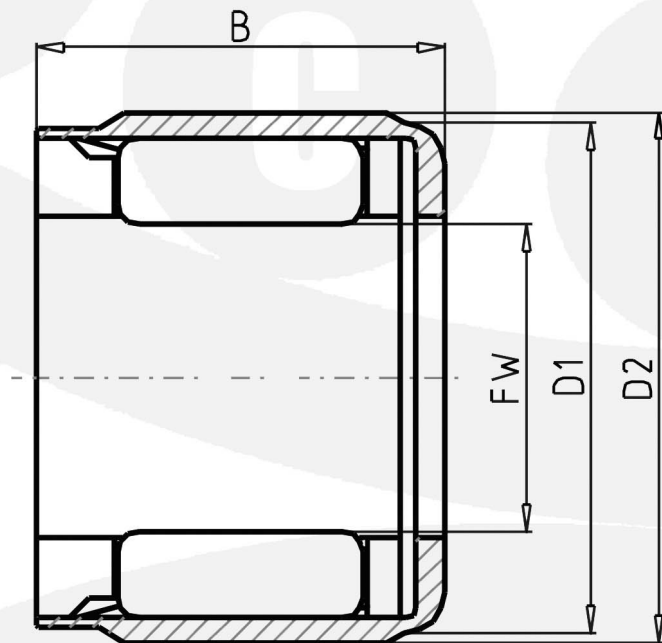
Part Number: **EWC1010A** with synthetic resin springs, light load type

Dimension: 10 x 16 x 17 x 10 mm

Outer Ring: ST14 with nickel plating

Cage: synthetic resin – POM/PA66

Roller: 4Cr13 / SUS304



FW Inside Diameter	10	mm
D1 Diameter	16.0	mm
D2 Diameter	17.0	mm
B Bearing Width	10	mm
ORDER Bearing No.	EWC1010A	
TC Torque Capacity	1.18	Nm