

Miniature One-Way Clutch Bearing

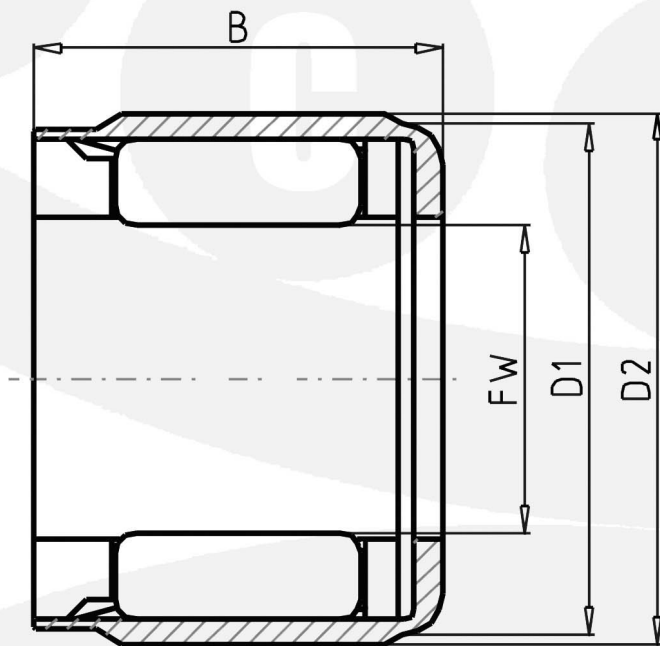
Part Number: **EWC0809C** with synthetic resin springs, heavy load type

Dimension: 8 x 12 x 12.4 x 9 mm

Outer Ring: ST14 with nickel plating

Cage: synthetic resin – POM/PA66

Roller: 4Cr13 / SUS304



| | | |
|------------------------------|----------|----|
| FW Inside Diameter | 8 | mm |
| D1 Diameter | 12.0 | mm |
| D2 Diameter | 12.4 | mm |
| B Bearing Width | 9 | mm |
| ORDER Bearing No. | EWC0809C | |
| TC Torque | 0.88 | Nm |