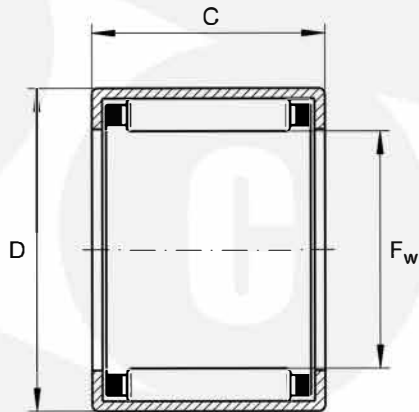


Drawn cup needle roller bearings with open ends

Part Number: **SCE810** with steel springs

Inch size: 0.5000 x 0.6875 x 0.6250 inch



Chrome Steel AISI52100



F _w	1/2 inch	
F _w	12,7 mm	
D	0,687 inch	
D	17,462 mm	
C	0,625 inch	
C	15,875 mm	
m	0,021 lbs	Mass
m	9 g	Mass
C _r	1980 lbf	Basic dynamic load rating, radial
C _r	8800 N	Basic dynamic load rating, radial
C _{0r}	2760 lbf	Basic static load rating, radial
C _{0r}	12300 N	Basic static load rating, radial
n _G	19500 1/min	Limiting speed
n _{9r}	13300 1/min	Reference speed