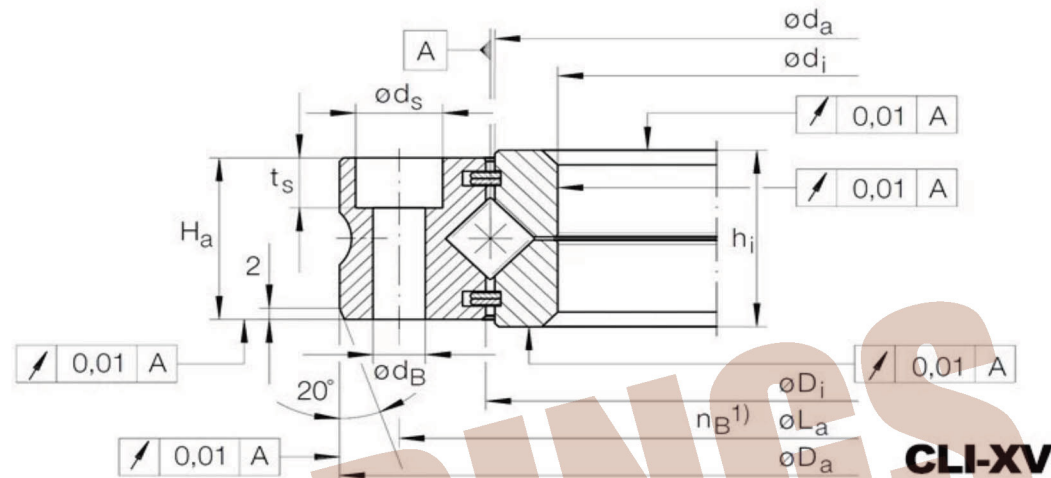


CLI-XV



* CLI-XV 系列交叉滚子轴承 - 多功能交叉滚子轴承通过其多功能设计和外圈带安装孔, 提供了很高的灵活性和便捷性。适用于多变的工业应用, 这些轴承能够满足不同装置的高精度定位和旋转需求。
CLI-XV 轴承的内外圈为整体, 外圈带安装孔。

* CLI-XV crossed roller bearing has unsplit inner ring and outer ring. Outer ring has bolt holes. CLI-XV crossed roller bearings is the perfect alternative of INA's XV series crossed roller bearings.



CLI Part NO.	Boundary Dimensions (mm)					Bolt Hole Size for Installation (mm)					Rated Loading (KN)				Maximum Running Speed (RPM)		Weight (kg)	Cross Ref	
	Da	di	Ha	hi	Di	da	La	nB	dB	ds	ts	Ca	Coa	Cr	Cor	Pre-pressured			Pre-clearanced
CLI- XV30	75	30	14	15	42.5	41.5	60	12	4.6	8	4.6	11.6	26	7.4	10.4	910	1819	0.37	XV30
CLI- XV40	85	40	14	15	52.5	51.5	70	12	4.6	8	4.6	13.6	34.5	8.7	13.8	735	1469	0.44	XV40
CLI- XV50	110	50	16	17	64.5	63.5	85	12	5.6	10	5.4	20.6	54	13.1	21.5	597	1194	0.67	XV50
CLI- XV60	110	60	16	17	74.5	73.5	95	16	5.6	10	5.4	22.6	64	14.4	25.5	516	1032	0.75	XV60
CLI- XV70	120	70	16	17	84.5	83.5	105	16	5.6	10	5.4	23.6	70	15.1	28	455	910	0.84	XV70
CLI- XV80	135	80	18	19	95.5	94.5	120	16	6.6	11	6.4	33.5	101	21.4	40.5	402	804	1.18	XV80
CLI- XV90	145	90	18	19	105.5	104.5	130	16	6.6	11	6.4	35	111	22.3	44.5	364	728	1.29	XV90
CLI- XV100	170	100	22	23	117.5	116.5	150	16	9	15	8.5	54	163	34.4	65	326	653	2.31	XV100
CLI- XV110	180	110	22	23	127.5	126.5	160	16	9	15	8.5	57	180	36.2	72	301	602	2.48	XV110