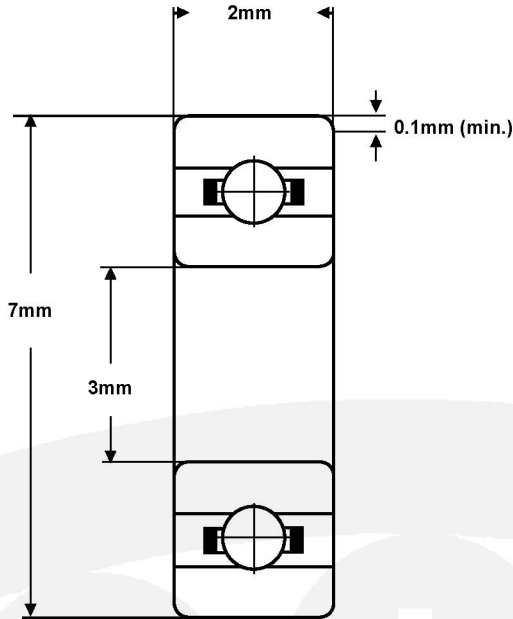


# Part Number: 683



|                                     |                        |
|-------------------------------------|------------------------|
| <b>Material (rings &amp; balls)</b> | SAE52100 chrome steel  |
| <b>Material (cage)</b>              | pressed steel          |
| <b>Closures</b>                     | None                   |
| <b>Load rating (stat)</b>           | 11 Kgf                 |
| <b>Load rating (dyn)</b>            | 31 Kgf                 |
| <b>Speed Limit *</b>                | 75,000 rpm             |
| <b>Standard Lubrication **</b>      | Aeroshell Fluid 12 oil |

\* with adequate lubrication

\*\* may vary

**These bearings comply with EU ROHS and REACH regulations.**

| RADIAL PLAY | MC1   | MC2   | MC3    | MC4    | MC5     | MC6     |
|-------------|-------|-------|--------|--------|---------|---------|
| (microns)   | 0 - 5 | 3 - 8 | 5 - 10 | 8 - 13 | 13 - 20 | 20 - 28 |

| TOLERANCE                  | P0            | P6            | P5            |
|----------------------------|---------------|---------------|---------------|
| <b>Bore Deviation</b>      | +0 / -0.008mm | +0 / -0.007mm | +0 / -0.005mm |
| <b>OD Deviation</b>        | +0 / -0.008mm | +0 / -0.007mm | +0 / -0.005mm |
| <b>Width Deviation</b>     | +0 / -0.120mm | +0 / -0.120mm | +0 / -0.040mm |
| <b>Bore Variation</b>      | 10            | 9             | 5             |
| <b>OD Variation</b>        | 10            | 9             | 5             |
| <b>Width Variation</b>     | 15            | 15            | 5             |
| <b>Inner Radial Runout</b> | 10            | 6             | 4             |
| <b>Outer Radial Runout</b> | 15            | 8             | 5             |