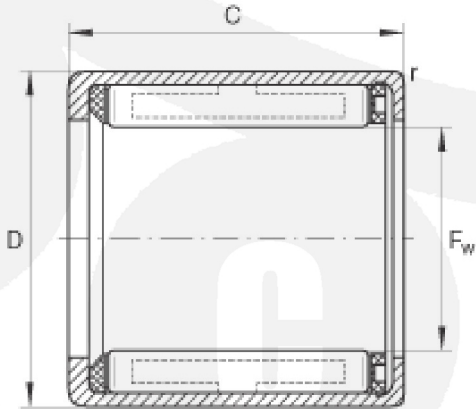


One Way Roller Clutches (Drawn cup roller clutch Bearings)

Part Number: **HF1816 with steel springs**



SAE52100 Chrome Steel

Fw	18 mm	
D	24 mm	
C	16 mm	Tolerance: 0/-0,3
rmin	0,3 mm	
m	16 g	Mass
Md per	24,1 Nm	Permissible torque
ngw	7500 1/min	Limiting speed with rotating shaft (valid for grease and oil lubrication)
nga	7500 1/min	Limiting speed with rotating outer ring (valid for grease and oil lubrication)
	HK1812	Suitable drawn cup needle roller bearings for radial bearing arrangement