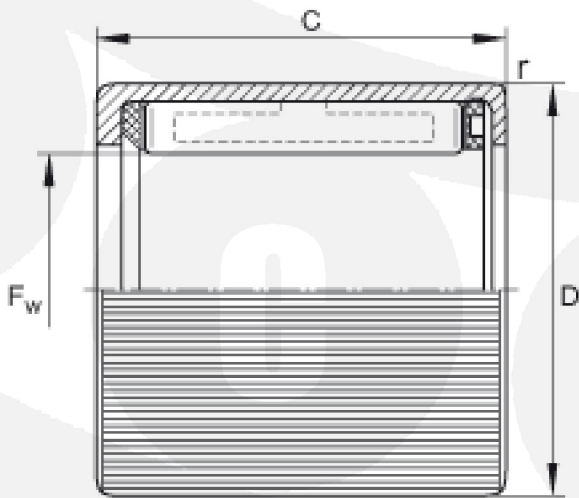


**One Way Roller Clutches (Drawn cup roller clutch bearings)**

**Part Number: HF0612-KF-R** with plastic springs and knurled outer ring



**SAE52100 Chrome Steel**

F <sub>w</sub>	6 mm	
D	10 mm	
C	12 mm	Tolerance: 0/-0,3
r <sub>min</sub>	0,3 mm	
m	3 g	Mass
M <sub>d per</sub>	0,6 Nm	Permissible torque
n <sub>GW</sub>	23000 1/min	Limiting speed with rotating shaft (valid for grease and oil lubrication)
n <sub>GA</sub>	13000 1/min	Limiting speed with rotating outer ring (valid for grease and oil lubrication)
	HK0608	Suitable drawn cup needle roller bearings for radial bearing arrangement