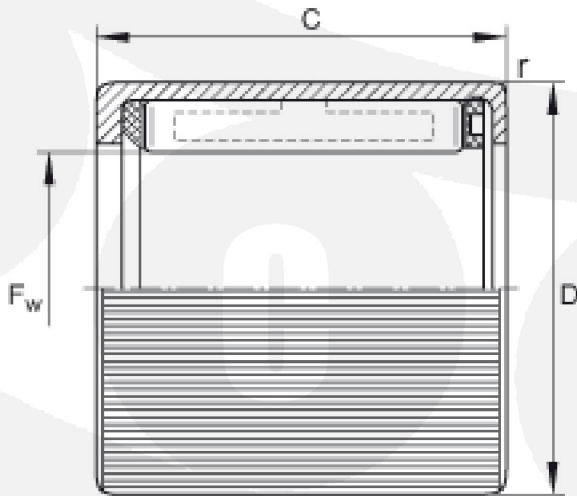


**One Way Roller Clutches (Drawn cup roller clutch Bearings)**

Part Number: **HF0612-R** with steel springs and knurled outer ring



**SAE52100 Chrome Steel**

Fw	6 mm	
D	10 mm	
C	12 mm	Tolerance: 0/-0,3
rmin	0,3 mm	
m	3 g	Mass
Md per	0,6 Nm	Permissible torque
ngw	23000 1/min	Limiting speed with rotating shaft (valid for grease and oil lubrication)
nga	13000 1/min	Limiting speed with rotating outer ring (valid for grease and oil lubrication)
	HK0608	Suitable drawn cup needle roller bearings for radial bearing arrangement