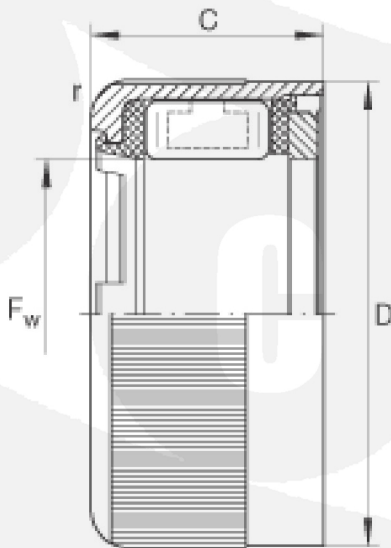


One Way Roller Clutches (Drawn cup roller clutch bearings)

Part Number: **HFL0806-KF-R** with plastic springs, knurled outer ring



SAE52100 Chrome Steel

F _w	8 mm	
D	12 mm	
C	6 mm	Tolerance: 0/-0,3
r _{min}	0,3 mm	
Drawn cup roller clutches with plain bearing arrangement		
m	2 g	Mass
M _{d per}	0,7 Nm	Permissible torque
n _{GW}	17000 1/min	Limiting speed with rotating shaft (valid for grease and oil lubrication)
n _{GA}	12000 1/min	Limiting speed with rotating outer ring (valid for grease and oil lubrication)
F _{r max}	54 N Maximum permissible radial load	
(F _r *n) _{max}	4200 N/min Limiting load	