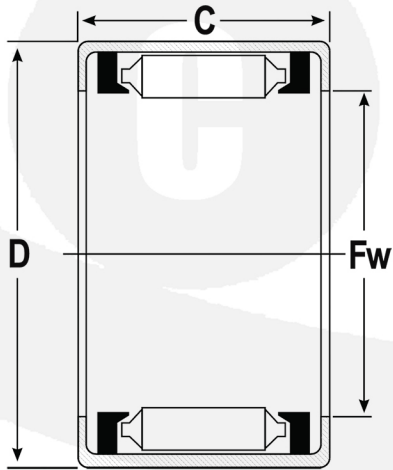


One Way Clutch Bearing

Part Number: **FC-16** with Roller & Stainless Steel Spring

Part Size: 16 x 22 x 16 mm



FW Inscribed circle diameter	16	mm
D Outer Diameter	22	mm
C Width	16	mm
TC Torque Capacities	20.59	Nm
TC1 Torque Capacities	2.100	fm
MASS Mass	18.0	
MODH Minimum Outside Diameters of Housing	31	mm
BGR1 Assembled Bearings (F.N.FH.BH)	F-1612	
BGR2 Assembled Bearings (FJ.J.FJH.JH)	FJ-1620	