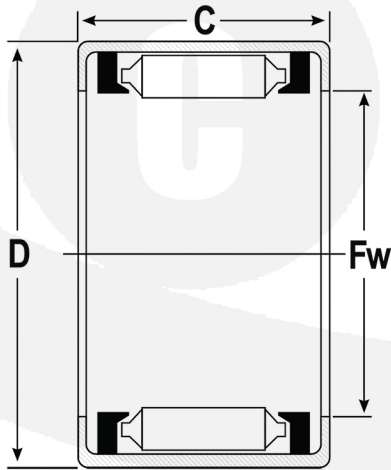


# One Way Clutch Bearing

Part Number: **FC-25** with Roller & Stainless Steel Spring

Part Size: 25 x 32 x 20 mm



FW Inscribed circle diameter	25	mm
D Outer Diameter	32	mm
C Width	20	mm
TC Torque Capacities	68.65	Nm
TC1 Torque Capacities	7.000	fm
MASS Mass	34.0	
MODH Minimum Outside Diameters of Housing	46	mm
BGR1 Assembled Bearings (F.N.FH.BH)	F-2516	
BGR2 Assembled Bearings (FJ.J.FJH.JH)	FJ-2516	