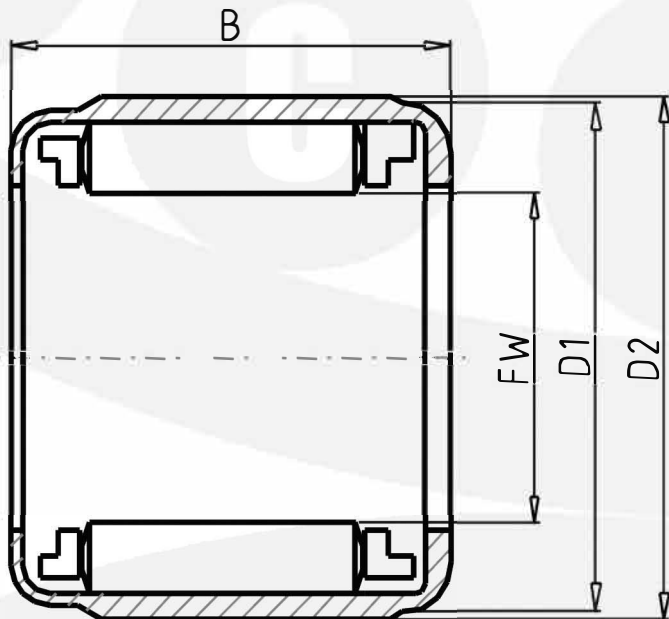


# Miniature One-Way Clutch Bearing

Part Number: **1WC0612** with metal springs, rust prevention & heavy load type

Dimension: 6 x 10 x 10.4 x 12 mm



Outer Ring: ST14 with nickel plating

Cage: resin – POM / PA66

Roller: 4Cr13 / SUS304



FW Inside Diameter	6	mm
D1 Diameter	10.0	mm
D2 Diameter	10.40	mm
B Bearing Width	12.0	mm
ORDER: Bearing No.	1WC0612	
TC Torque Capacity	0.88	