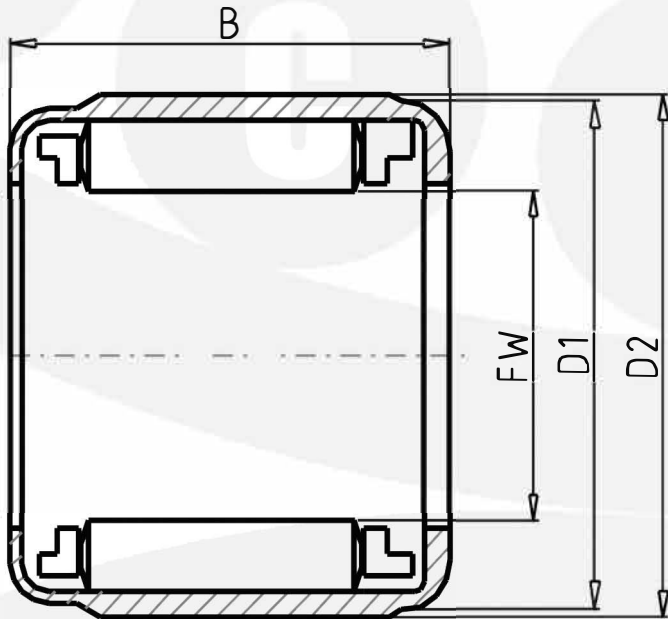


Miniature One-Way Clutch Bearing

Part Number: **1WC0812** with metal springs, rust prevention & heavy load type

Dimension: 8 x 14.2 x 15 x 12 mm



Outer Ring: ST14 with nickel plating
 Cage: resin – POM / PA66
 Roller: 4Cr13 / SUS304



FW Inside Diameter	8	mm
D1 Diameter	14.2	mm
D2 Diameter	15.00	mm
B Bearing Width	12.0	mm
ORDER Bearing No.	1WC0812	
TC Torque	1.96	Nm