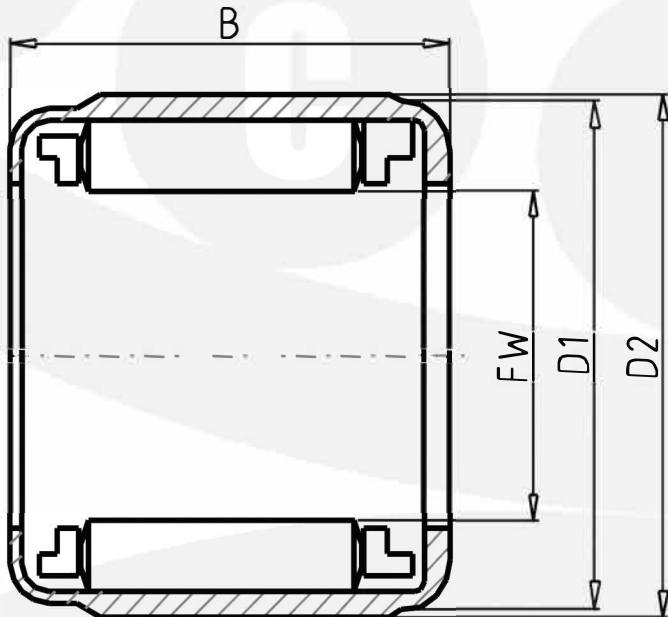


Miniature One-Way Clutch Bearing

Part Number: **1WC1012** with metal springs, rust prevention & heavy load type

Dimension: 10 x 16 x 17 x 12 mm



Outer Ring: ST14 with nickel plating

Cage: resin – POM / PA66

Roller: 4Cr13 / SUS304



FW Inside Diameter	10	mm
D1 Diameter	16.0	mm
D2 Diameter	17.00	mm
B Bearing Width	12.0	mm
ORDER Bearing No.	1WC1012	
TC Torque Capacity	2.35	