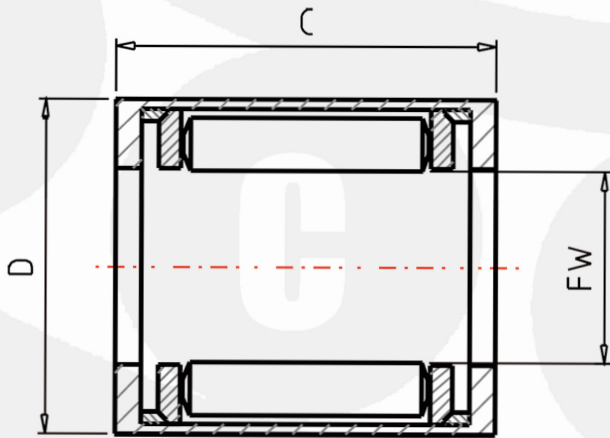


# One Way Clutch Bearing

Part Number: **RC-040708** with plastic springs

0.2500 x 0.4375 x 0.5000 inch



**AISI52100 chrome Steel**

FW Inscribed circle diameter	6.350	mm
D Outer Diameter	11.112	mm
C Width	12.70	mm
TC Torque Capacities	1.96	Nm
TC1 Torque Capacities	0.20	kgfm
MASS Mass	3.6	g
MODH Minimum Outside Diameters of Housing	16	mm
BGR1 Assembled Bearings (F.N.FH.BH)	B-45	
BGR2 Assembled Bearings (FJ.J.FJH.JH)	J-45	