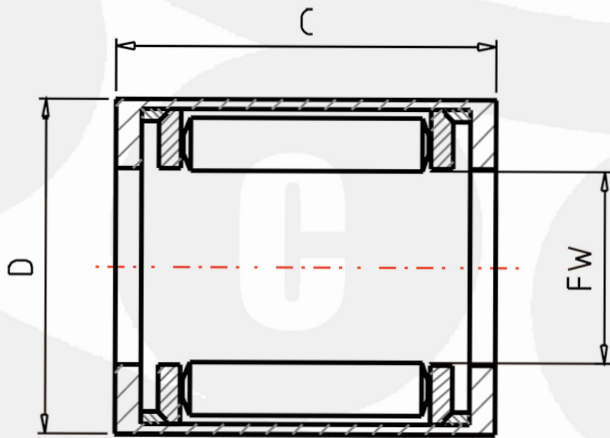


One Way Clutch Bearing

Part Number: RC-061008-FS with stainless steel springs
0.3750 x 0.6250 x 0.5000 inch



AISI52100 chrome Steel

FW Inscribed circle diameter	9.525	mm
D Outer Diameter	15.875	mm
C Width	12.70	mm
TC Torque Capacities	5.10	Nm
TC1 Torque Capacities	0.52	
MASS Mass	7.7	g
MODH Minimum Outside Diameters of Housing	22	mm
BGR1 Assembled Bearings (F.N.FH.BH)	BH-68	
BGR2 Assembled Bearings (F.J.J.FJH.JH)	JH-68	