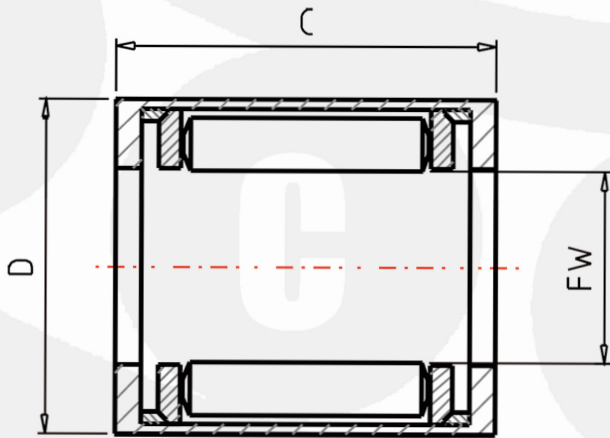


One Way Clutch Bearing

Part Number: **RC-101410** with plastic springs

0.6250 x 0.8750 x 0.6250 inch



AISI52100 chrome Steel

FW Inscribed circle diameter	15.875	mm
D Outer Diameter	22.225	mm
C Width	15.88	mm
TC Torque Capacities	16.18	Nm
TC1 Torque Capacities	1.65	
MASS Mass	14.0	g
MODH Minimum Outside Diameters of Housing	30	mm
BGR1 Assembled Bearings (F.N.FH.BH)	BH-108	
BGR2 Assembled Bearings (F.J.J.FJH.JH)	JH-108	